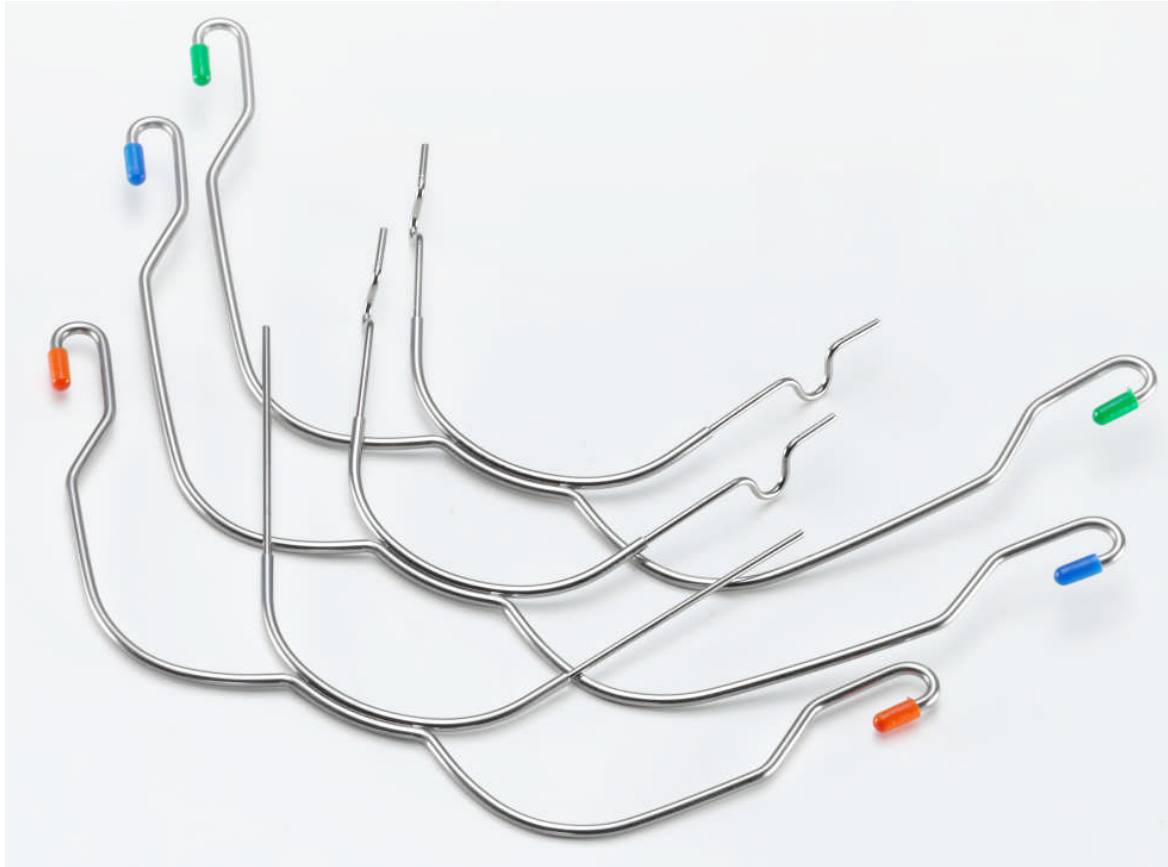


Facebows



Laser welded Facebows with safety loop and protection and protection hood.
Available in 3 different sizes of outer bow 6 different sizes of inner arches. With or without stop loops.
Diameter of lingual arch is always 1,15 mm / 0,45".

Outer Bow

S - extra short
K - short
M - medium

Inner Arches

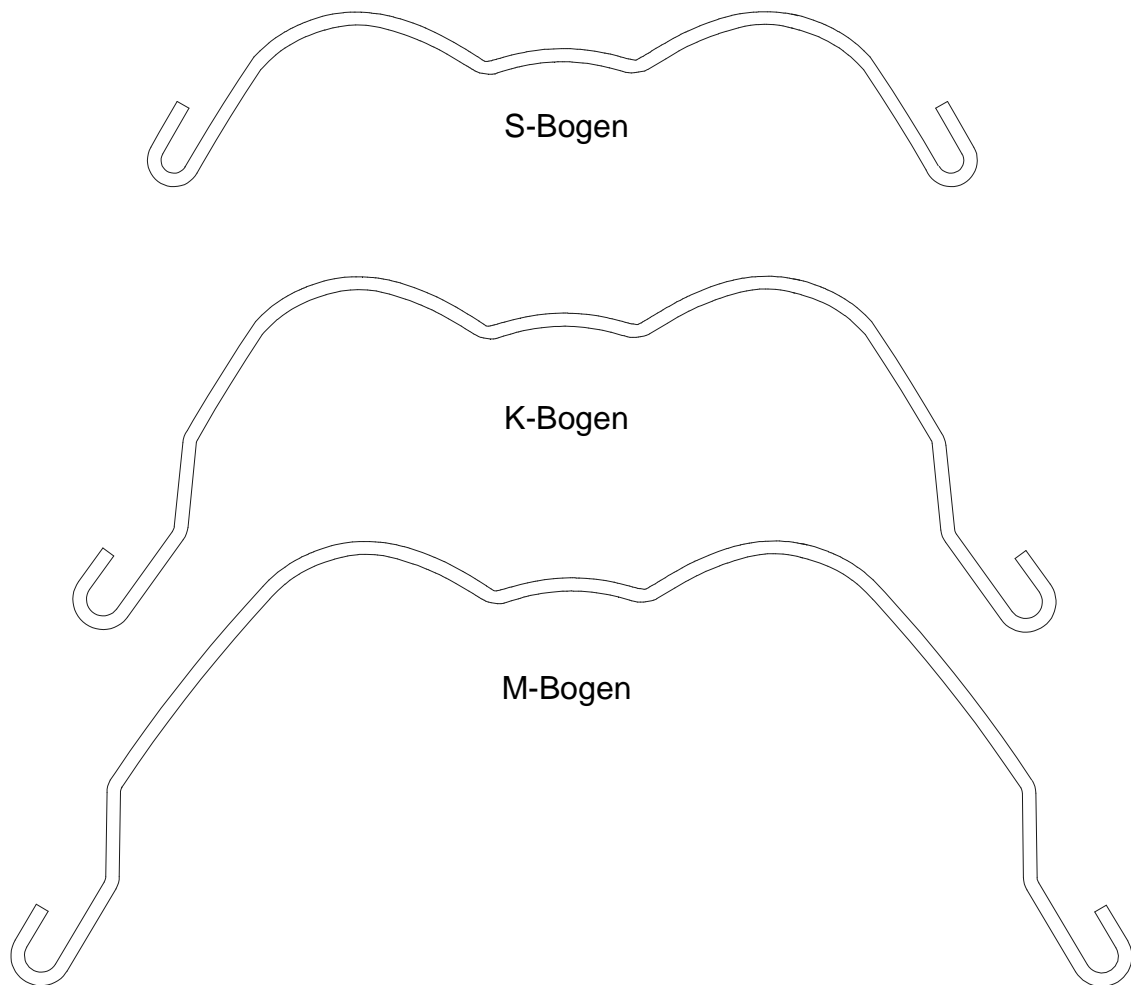
Size **1**, length = 83 mm
Size **2**, length = 90 mm
Size **3**, length = 97 mm
Size **4**, length = 104 mm
Size **5**, length = 111 mm
Standard = without stop loop,
do not require any code number

Exaple:

Facebow with short (**K**) outer bow, inner arch with stop loop size **3** => **115 K3**
Facebow with medium (**M**) outer bow, inner arch without stop loop => **115 M**

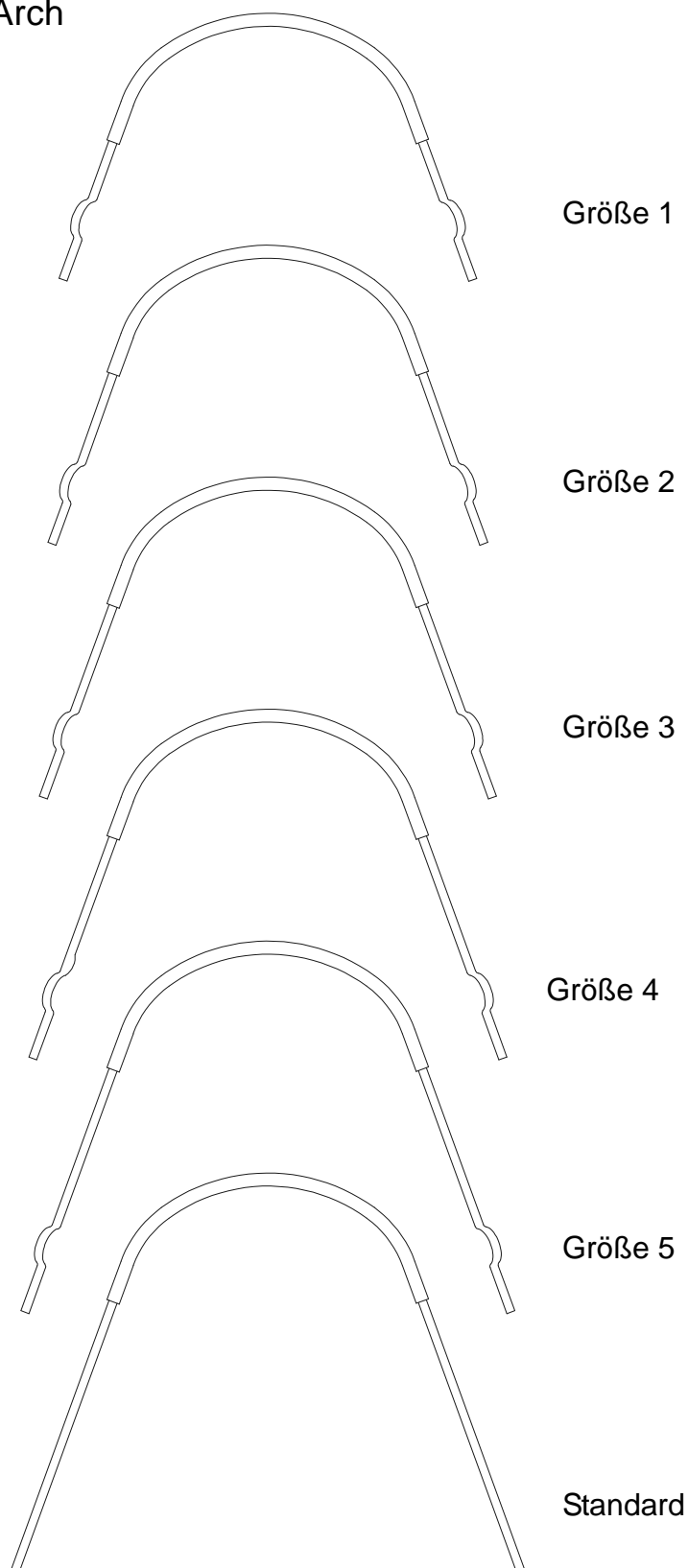
Facebow

1.0 Overview Outer Bow



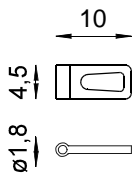
Facebow

2.0 Overview Inner Arch

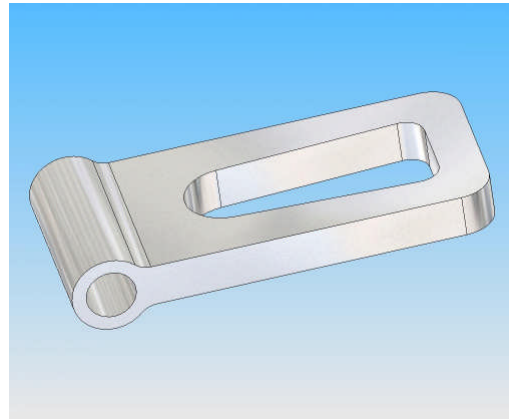


Attachment

Activator Tubes

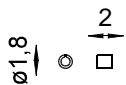


Article No. 315 AR

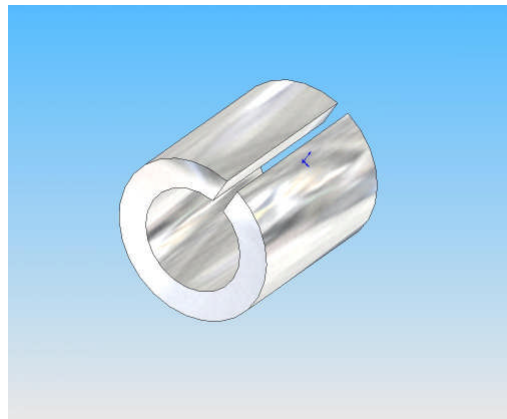


For fit in Facebooks into aktivators.
Bore hole $\varnothing 1,15\text{mm} / .045''$. Made of stainless steel..

Stop - Tubes



Article No. 215



Stop tubes are used as variabel stop and are attached at the inner bow.
Bore hole $\varnothing 1,15\text{mm} / .045''$. Made of stainless steel.